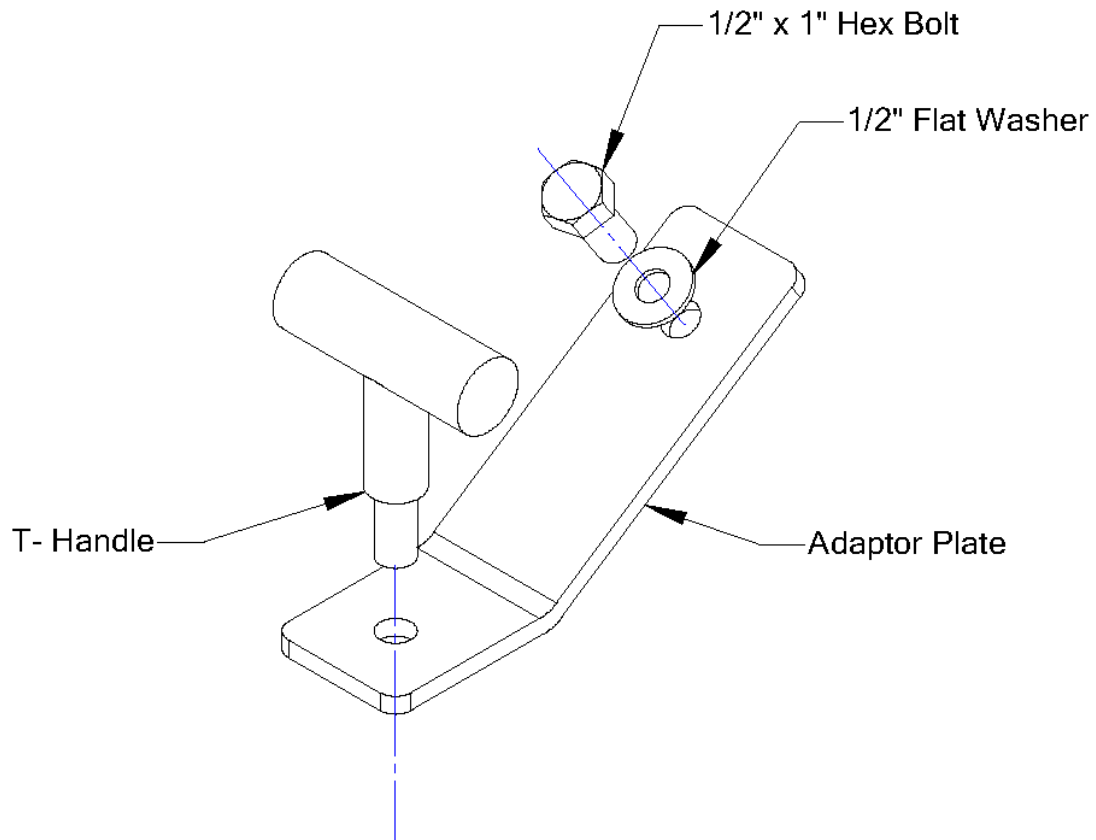


531-355 FLOOR PLATE ADAPTOR

Page 1
Rev 08/23/2004

IMPORTANT

Please retain this instruction sheet in your files. It contains important replacement parts information.



PARTS LIST

- 1 - 533-504 "T" Handle
- 1 - 534-502 Adaptor Plate
- 1 - 1/2" x 1" Hex Bolt
- 1 - 1/2" Flat Washer

1 CTN	3#	UPS
-------	----	-----